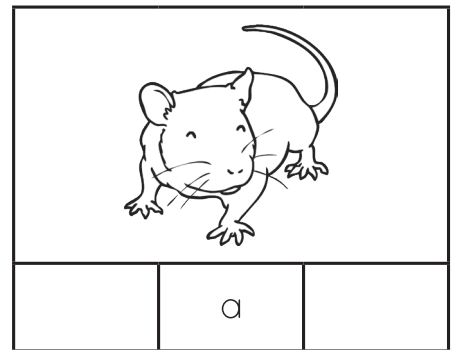
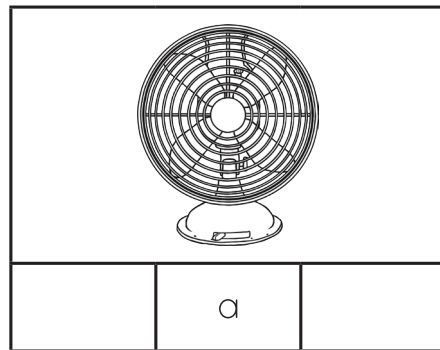
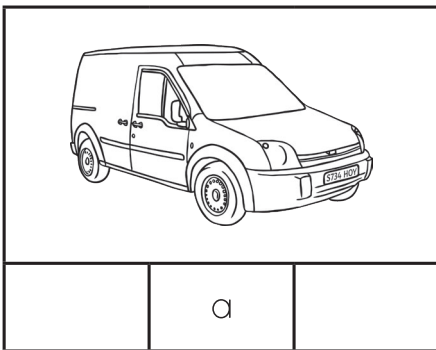
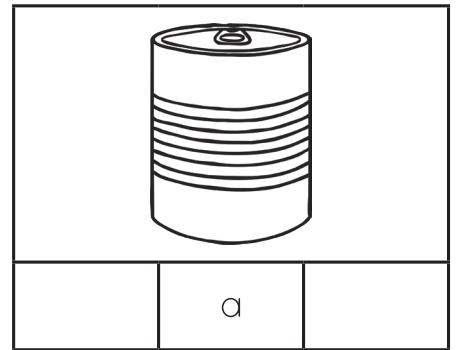
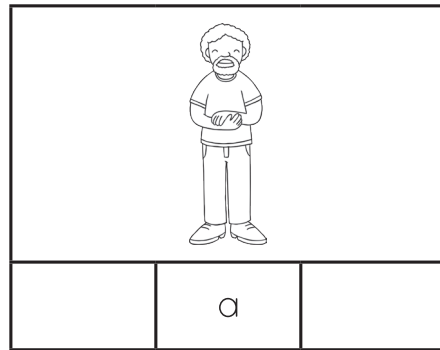
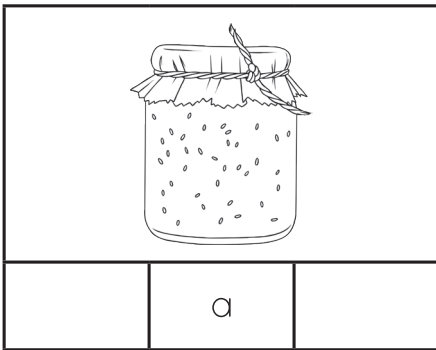
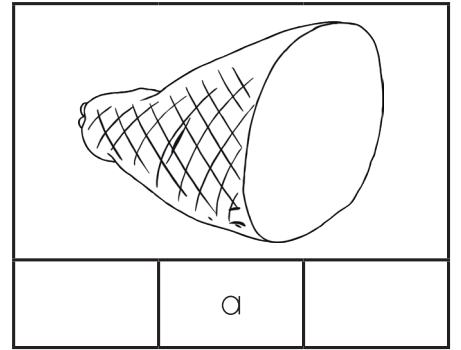
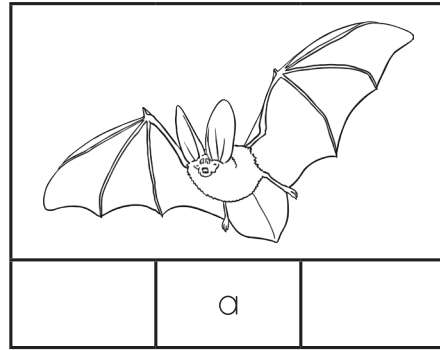
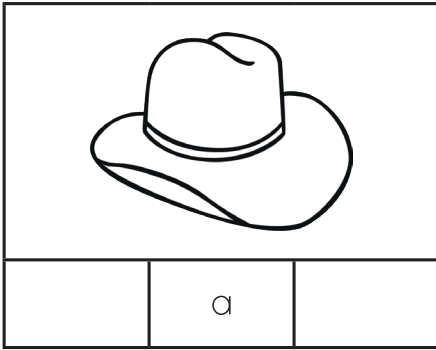


CVC Words

Beginning and Ending Sounds Letter A

Directions: Say the name of each picture. Then fill in the missing beginning and ending sounds to form the words.



CVC Words

Beginning and Ending Sounds Letter A Answers

